

M3S



This slim and multi-functional square type fixture enables various combination of layout, group mode selection.

FEATURE

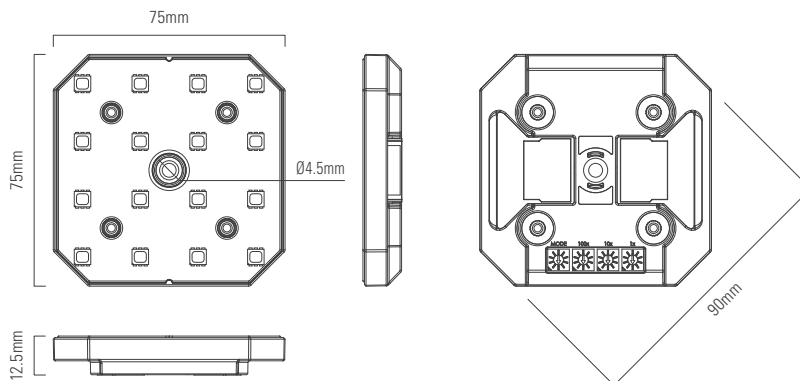
- Various options in total size and shape with pitch 18.75mm
- Auto address mode
- Capable of video signal output and simple installation with magnets and bolts.

PRODUCT SPECIFICATIONS

Model Number	GP-07SFI
Material	Plastic Body & Clear PC Cover
Size (W × H × D)	75mm × 75mm × 12.5mm
Weight	35g / 0.08lbs
Power Consumption	Max. 5W Input Cable 20m (AWG18) / Jumper Cable 400mm (AWG18)
Lamp	Full Color SMD LED × 16
Pixel Pitch	(H)18.75mm × (V)18.75mm
Brightness	40cd, 107 lm *7,000nit (18.75 × 18.75mm)
Beam Angle	110°
Color Process	3 × 16 bit (Gamma Correction)
Control	DMX512, Video Control
Operating Voltage	24V DC
Main Power Source	24V DC
Addressing	Manual Address Setting, Auto Address Setting
Protection	Indoor
Operating Temperature	-20°C ~ 40°C / -4°F ~ 104°F
Storage Temperature	-30°C ~ 70°C / -22°F ~ 158°F
Main Input Cable	Max. 20m (AWG18 × 3C)
Jumper Cable	Max. 120mm ~ 400mm from SMPS
Maximum Connection	Max. 20 Fixtures (320W Power), Max. 40 Fixtures (600W Power)

※ Specifications are subject to change without notice.

TECHNICAL DRAWING



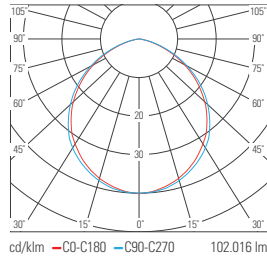
PHOTOMETRICS

GP-07SFI
(M3s_RGB_Clear Flat_Indoor_110D)

- Source :
SMD LED(3-in-1 Full Color) × 16

Polar LDC

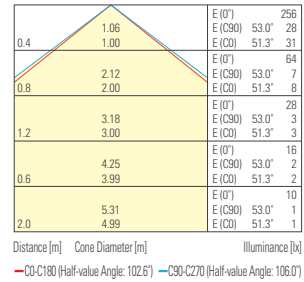
Measured on White



Color	Lumens
White	102
Red	22.88
Green	71.65
Blue	13.34

Illuminance at distance

Measured on White



Horiz. Spread: 102.6°
Vert. Spread: 106.0°

SYSTEM BLOCK DIAGRAM DMX Control

