



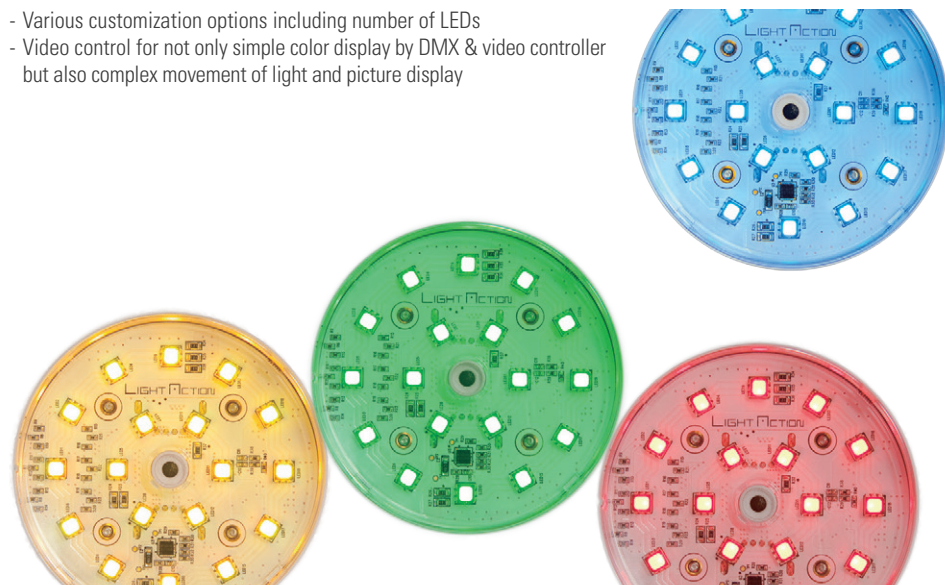
D18



This ultra thin (90mm) circular type fixture is suitable for various events and concerts. It's designed with magnets and bolts for easy installation and maintenance.

FEATURE

- Various customization options including number of LEDs
- Video control for not only simple color display by DMX & video controller but also complex movement of light and picture display



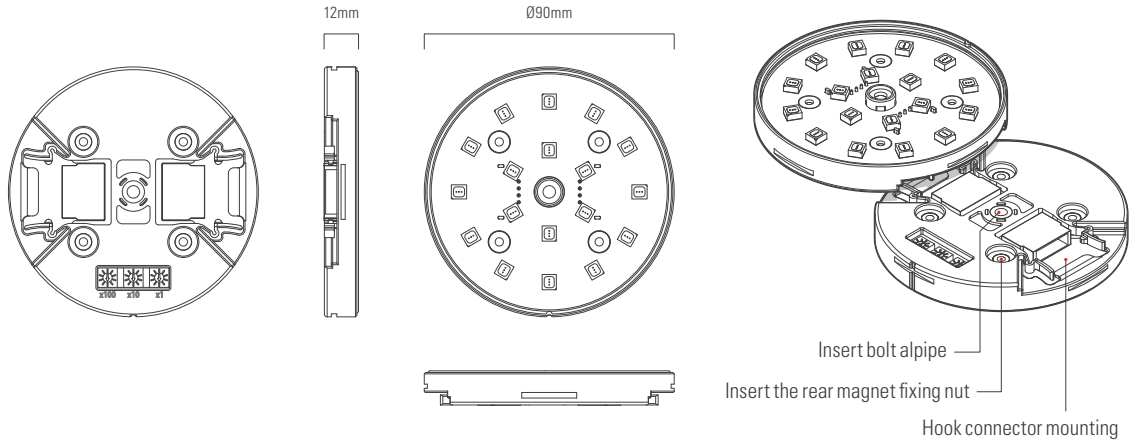
PRODUCT SPECIFICATIONS

Model Number	GD-05CFI	
Material	Plastic body & clear PC cover	
Size	Ø90mm x (T)12mm	
Weight	68g / 0.14 lbs	
Power Consumption	Max. 4.56W	
Lamp	3 in 1 full color SMD LED x 18	
Pixel Pitch	100mm ~ 2,000mm	
Brightness	40cd/node, 112 lm/node	
Beam Angle	110°	
Color Process	3 × 16 bit (Gamma correction)	
Control	DMX512, Video control	
Operating Voltage	24V DC	from DC-DC module
Main Power Source	24V DC	from SMPS
Addressing	Manual address setting	
Protection	Indoor	
Operating Temperature	-20°C ~ 50°C / -4°F ~ 122°F	
Storage Temperature	-30°C ~ 80°C / -22°F ~ 176°F	

SYSTEM SPECIFICATIONS

Main Input Cable	Max. 20m (AWG18 x 3C)	from SMPS
	Max. 20 nodes per string (100mm pitch)	
Maximum Connection	Max. 14 nodes per string (1,000mm pitch)	
	Max. 10 nodes per string (2,000mm pitch)	

TECHNICAL DRAWING



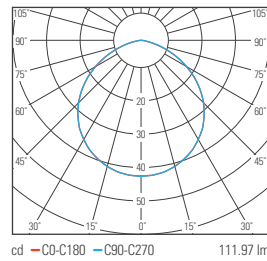
PHOTOMETRICS

GD-05CFI (RGB_Clear Flat_Indoor_110D)

- Source : 3 in1 full color SMD LED x 18
- Beam angle (Optics) : 110°
- Cover : Clear flat lens

Polar LDC

Measured on white (RGB)



Color (RGB)	Lumens
White	111.97
Red	32.72
Green	70.15
Blue	17.16

Illuminance at distance

Measured on white (RGB)

Distance	Cone diameter	Illuminance
0.2	0.55	E (0°) 1065
	0.55	E (C90) 53.9° 110
	0.55	E (C0) 53.8° 110
0.4	1.10	E (0°) 266
	1.09	E (C90) 53.9° 27
	1.09	E (C0) 53.8° 28
0.6	1.65	E (0°) 118
	1.64	E (C90) 53.9° 12
	1.64	E (C0) 53.8° 12
0.8	2.19	E (0°) 67
	2.19	E (C90) 53.9° 7
	2.19	E (C0) 53.8° 7
1.0	2.74	E (0°) 43
	2.73	E (C90) 53.9° 4
	2.73	E (C0) 53.8° 4

Horiz. spread: 107.6°
Vert. spread: 107.8°

Distance Cone diameter Illuminance
— CO-C180 (Half-value angle: 107.6°) — C90-C270 (Half-value angle: 107.8°)

Photometric measurements are carried out by an independent laboratory. IES files are available for download from Galaxia Electronics website.

SYSTEM BLOCK DIAGRAM

