



M3



M3 is a versatile event lighting fixture with dot control and group control, and efficient for mixed pattern effects. It is good for event lighting such as exhibitions, concerts and theme parks.

FEATURE

- Dot control and group control with auto addressing system.
- Low profile and light weight design
- Direct view lighting



LDI Exhibition
Jun. 2012.

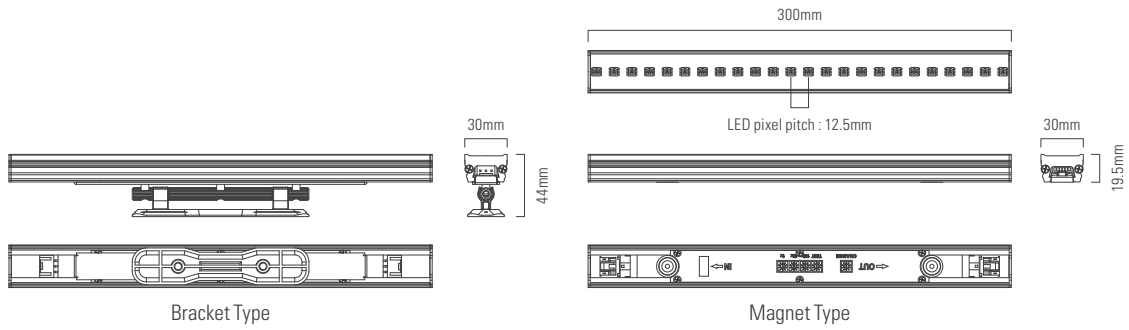
PRODUCT SPECIFICATIONS

Model Number	GB-09BF1
Material	Aluminum body & clear PC cover
Size (w × h × d)	300mm x 30mm x 20mm
Weight	153g / 0.33 lbs
Power Consumption	Max. 9.6W
Lamp	Full color SMD LED × 24 from SMPS
Pixel Pitch	12.5 mm
Brightness	170lm, 63cd *7,000nit (12.5 x 30mm)
Beam Angle	110°
Color Process	3 × 16 bit (Gamma correction)
Control	DMX512, Video control
Operating Voltage	24V DC
Main Power Source	24V DC from SMPS
Addressing	Manual address setting, Auto address setting
Protection	Indoor
Operating Temperature	0°C ~ 50°C / 32°F ~ 122°F
Storage Temperature	-30°C ~ 80°C / -22°F ~ 176°F

SYSTEM SPECIFICATIONS

Main Input Cable	Max. 20m (AWG 18 × 3C) from SMPS
Jumper Cable	Max. 120mm
Maximum Connection	Max. 30 fixtures (320W power), Max. 60 fixtures (600W power)

TECHNICAL DRAWING



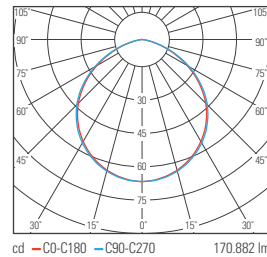
PHOTOMETRICS

GB-09BFI (M3_RGB_Clear Flat_ Indoor_110D)

- Source :
3 in 1 full color SMD LED x 24

Polar LDC

Measured on white (RGB)



Color	Lumens
White (RGB)	170.8
Red	38.54
Green	115.48
Blue	22

Illuminance at distance

Measured on white (RGB)

Distance	Cone diameter	Illuminance
0.5	1.36	E (0°) 269
	1.32	E (C90) 53.7° 28
1.0	2.72	E (0°) 67
	2.63	E (C90) 53.7° 7
1.5	4.08	E (0°) 30
	3.95	E (C90) 53.7° 3
2.0	5.45	E (0°) 17
	5.27	E (C90) 53.7° 2
2.5	6.81	E (0°) 11
	6.58	E (C90) 53.7° 1

— CO-C180 (Half-value angle: 105.6°) — C90-C270 (Half-value angle: 107.4°)

Horiz. spread: 105.6°
Vert. spread: 107.4°

Photometric measurements are carried out by an independent laboratory. IES files are available for download from Galaxia Electronics website.

SYSTEM BLOCK DIAGRAM

