



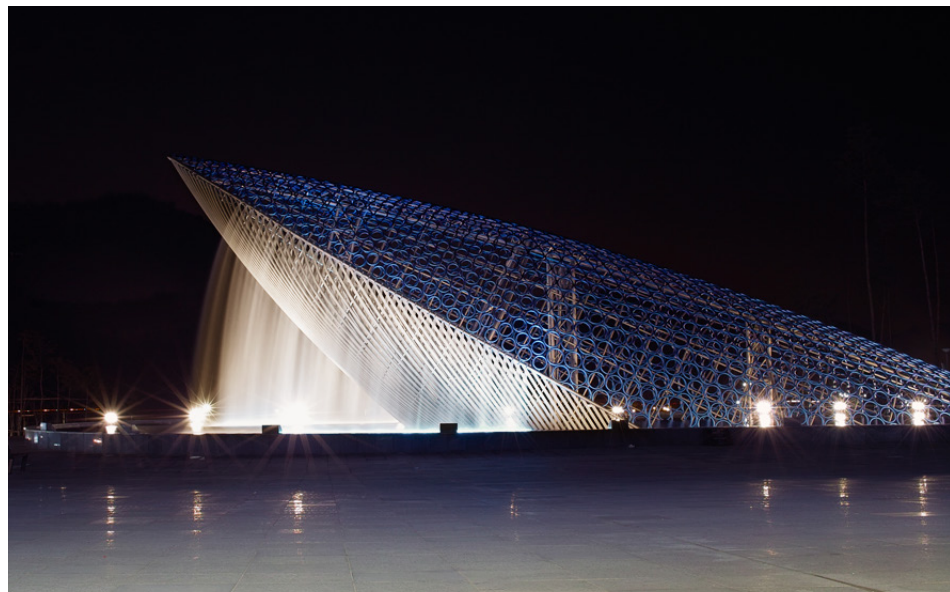
# WP60



WP60 is a premium flood lighting product, characterized by high performance, energy cost saving, and easy installation.

## FEATURE

- Designed to accommodate to exterior environments with IP66 rating.
- The optimization of cable lengths and fixture positions

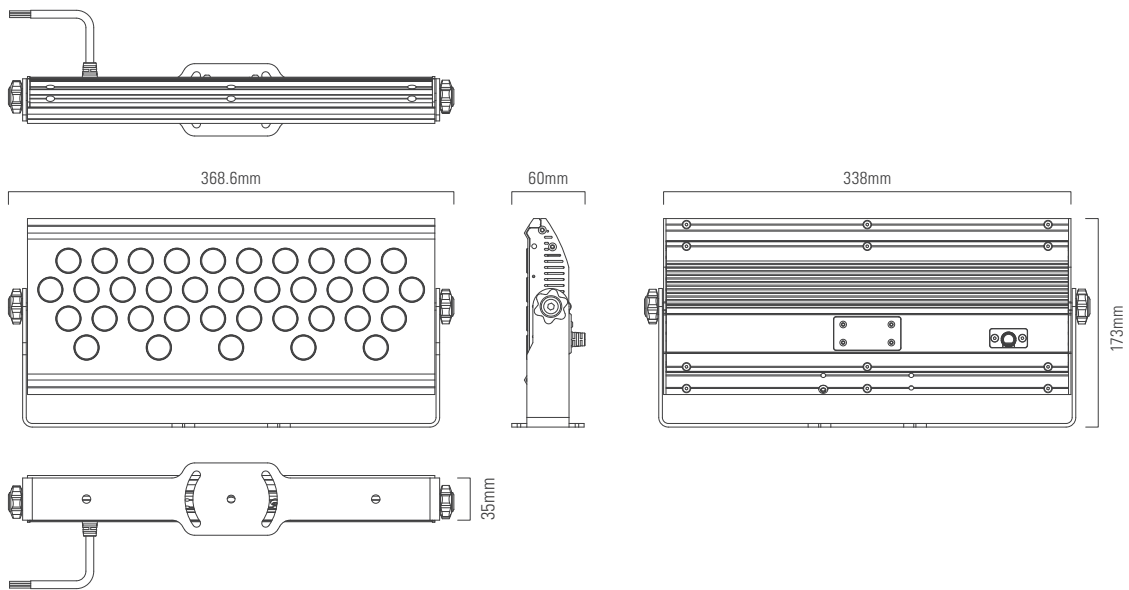


Sebitseom (Floating Island)  
 May, 2011. Korea

## PRODUCT SPECIFICATIONS

|                            |                                                                        |
|----------------------------|------------------------------------------------------------------------|
| Material                   | Aluminum Body & Clear PC Cover                                         |
| Color Temperature          | Warm White 3,000K   Cool White 6,000K   Emotional White 3,000 ~ 6,000K |
| Size (W × H × D)           | 369mm × 173mm × 60mm                                                   |
| Weight                     | 2.2 kg / 4.8 lbs                                                       |
| Power Consumption          | Max. 60W                                                               |
| Lamp                       | High Power White LED × 36                                              |
| Brightness                 | 2800 lm (EW, 10°optics), 2500 lm (EW, 30°optics)                       |
| Color Rendering Index (Ra) | 80 ~ 90                                                                |
| Beam Angle                 | 10°/30°/(Option: 45°, 12° × 50°)                                       |
| Control                    | DMX512                                                                 |
| Input Voltage              | 24V DC                                                                 |
| Main Power Source          | 24V DC <span style="float: right;">from SMPS</span>                    |
| Addressing                 | Manual Address Setting                                                 |
| Protection                 | IP66                                                                   |
| Operating Temperature      | -20°C ~ 50°C / -4°F ~ 122°F                                            |
| Storage Temperature        | -30°C ~ 80°C / -22°F ~ 176°F                                           |

## TECHNICAL DRAWING



## SYSTEM BLOCK DIAGRAM

