

DECORATIVE ILLUMINATION

A-Deco Architectural Lighting



P60



P60 is a high-powered floodlighting fixture for architectural lighting, characterized by high performance, energy cost efficiency and and easy installation. As one of commonly-used applications for architectural lighting purpose, it is frequently integrated with Media Facade lighting.

FEATURE

- Designed to accommodate exterior environments. IP66 rating
- The optimization of cable lengths and fixture positions

Sebitseom (Floating Island)
May, 2011. Korea

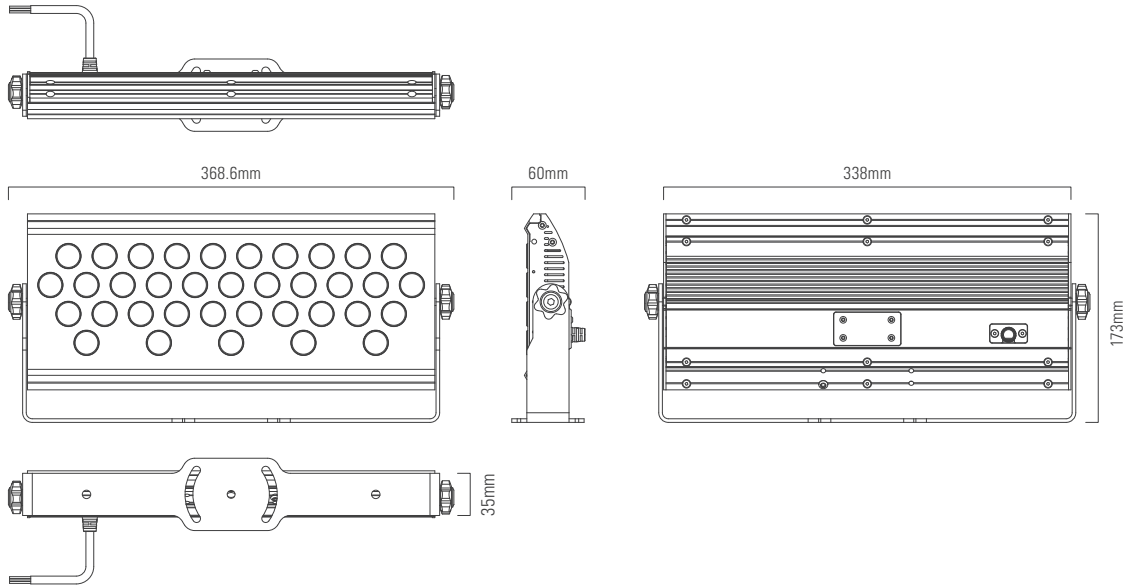


PRODUCT SPECIFICATIONS

Model Number	GH-60SFO
Material	Aluminum, Clear LED-Cap(PC)
Size (W x H x D)	339mm x 173mm x 60mm
Weight	2.2Kg / 4.8 lbs
Power Consumption	Max. 60W
Lamp	LUXEON Rebel(Philips Lumileds) High Power LED x 36 (R12, G12, B12)
Pixel Pitch	Horizontal 30mm), Vertical 24mm
Brightness	1450 lm (10°optics), 1300 lm (30°optics)
Beam Angle	10°/30°/Option 45°, 12° x 50°
Color Process	3 x 16 bit(Gamma Correction)
Control	DMX512
Input Voltage	24V DC
Main Power Source	24V DC
Addressing	Manual Address Setting
Protection	IP66
Operating Temperature	-20°C ~ 50°C / -4°F ~ 122°F
Storage Temperature	-30°C ~ 80°C / -22°F ~ 176°F
Input Cable	Max. 20m (AWG16x3C)
Bar connection	1ea

© GALAXIA ELECTRONICS CO.,LTD. All rights reserved. Reproduction in whole or in part is prohibited without the prior written consent of the copyright owner. The information presented in this document does not form part of any quotation or contract, is believed to be accurate and reliable and may be modified without notice.

TECHNICAL DRAWING

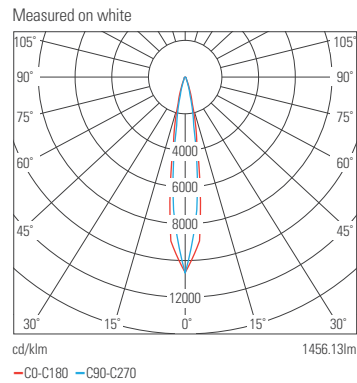


PHOTOMETRICS

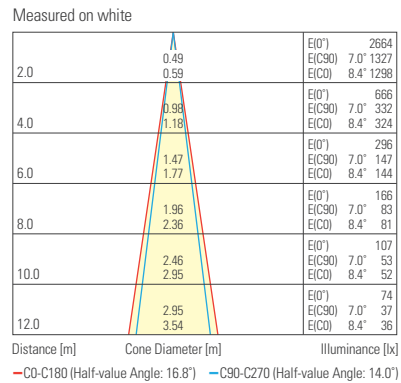
GH-60SFO (P60_RGB_10D)

- Source :
High Power LED × 36
(R12,G12,B12)

Polar LDC



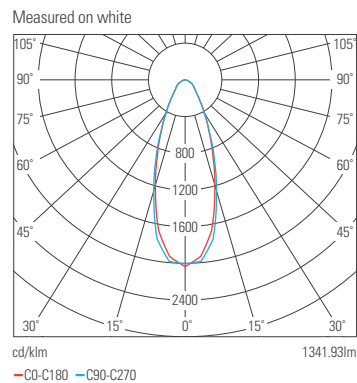
Illuminance at distribution



GH-60SFO-1 (P60_RGB_30D)

- Source :
High Power LED × 36
(R12,G12,B12)

Polar LDC



Illuminance at distribution

