



D12S



D12S is a full color SMD LED fixture with 12 dots in one pixel with individually addressable pixel control configuration. Its customization options for pixel pitch and length of string give flexibility in adopting into various architectural surroundings and display effects such as text, graphic and video. Moreover, its brightness output per single node makes it the brightest LED fixture in its class and helps clients' architectural lighting projects to be more distinguished.

FEATURE

- Flexible pixel pitch ranging from 100 up to 1,200mm
- Various lens cover : flat and dome type, clear and diffuser type
- Various installation methods on irregular architectural surface



Macau Cotai Central "Kids Cavern"
 Jan. 2013. Macau

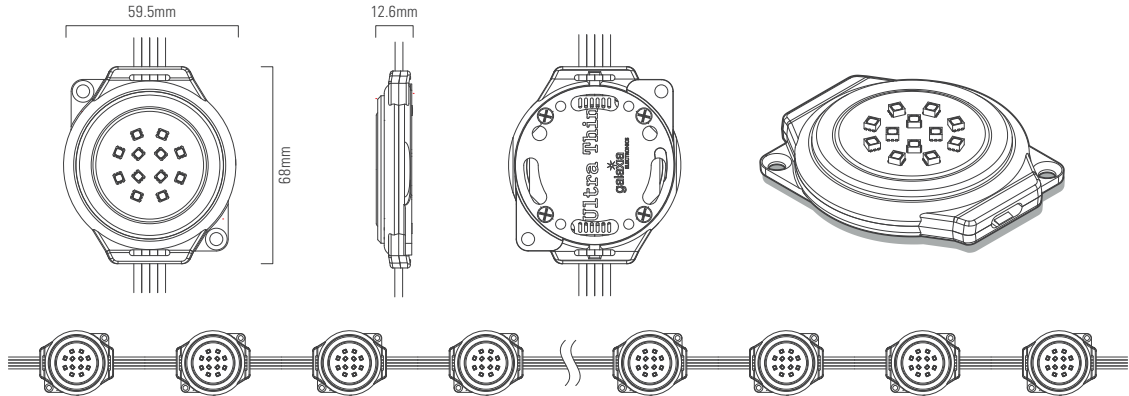
PRODUCT SPECIFICATIONS

Model Number	GS-12CFO	
LED	3 in 1 Full Color SMD LED x 12	
Size (w x h x d)	59.5mm x 68mm x 12.6mm	
Material	Aluminum Body & PC Cover	
Weight	80 g / 0.17 lbs	with cable 300mm
Power Consumption	Max. 1.9W	1 Node
Brightness	61lm / 22.8cd	1 Node
Pixel Pitch	100mm ~ 1,200mm	
Beam Angle	110°	Flat Cover
Color Process	3 x 12 bit (Gamma Correction)	
Control	DMX512, Video Control	
Operating Voltage	24V DC	
Addressing	Auto/Manual Addressing Setting	
Protection	IP66	
Operating Temperature	-20°C ~ 50°C / -4°F ~ 122°F	
Storage Temperature	-30°C ~ 80°C / -22°F ~ 176°F	
Option	Flat Cover (Clear / Diffuser)	
Certification	CE, EN62471	

SYSTEM SPECIFICATIONS

Main Input Cable	Max. 20m (AWG 18 x 4C)	
Maximum Connection	Max. 60 Nodes	100 - 200mm pixel pitch

TECHNICAL DRAWING



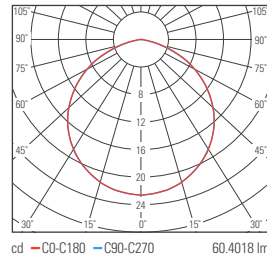
PHOTOMETRICS

GS-12CFO
(D12S_RGB_
Clear Flat_110D)

- Source :
3 in1 full color SMD LED x 12

Polar LDC

Measured on white (RGB)



Color	Lumens
White (RGB)	60.4
Red	16.63
Green	41.21
Blue	6.77

Illuminance at distance

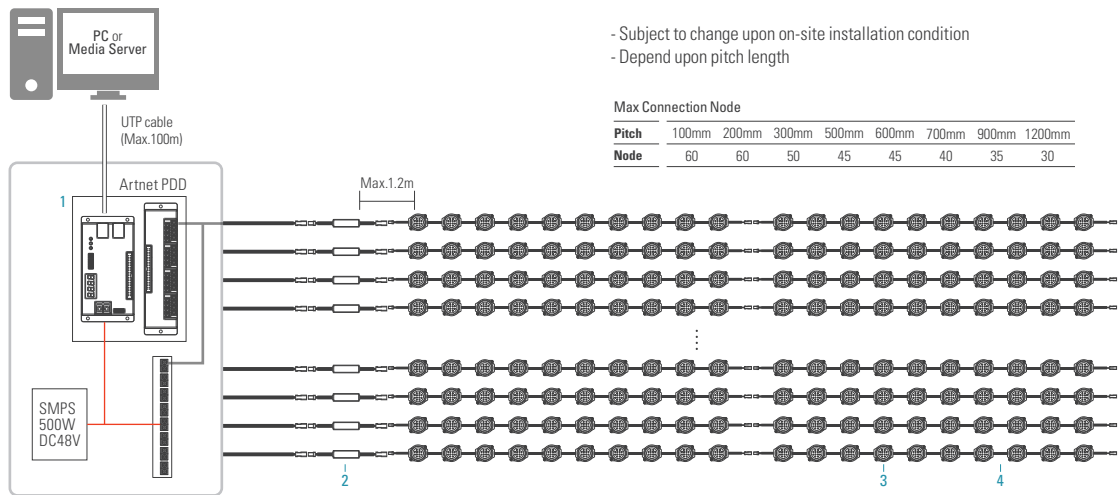
Measured on white (RGB)

Distance	Cone diameter	Illuminance
0.2	0.57	566
0.4	1.14	141
0.6	1.71	63
0.8	2.29	35
1.0	2.87	23

Distance Cone diameter Illuminance
- CO-C180 (Half-value angle: 110.2°) - C90-C270 (Half-value angle: 110°)

Horiz. spread: 110.2°
Vert. spread: 110°

SYSTEM BLOCK DIAGRAM



- Subject to change upon on-site installation condition
- Depend upon pitch length

Max Connection Node

Pitch	100mm	200mm	300mm	500mm	600mm	700mm	900mm	1200mm
Node	60	60	50	45	45	40	35	30

1 Artnet PDD

- Size : (W)160 x (D)80 x (H)17.2mm
- Input Data : Art-Net
- Input Voltage : 24V DC (10-60V DC)
- Output Data : 16port Differential Data
- Operating Temp : -20 ~ 50°C
- Max.Connector : Max.100nodes per port
- Function : Data transfer

2 LPU24

- Size : (W)30 x (H)21 x (D)138mm
- Input Data : SPI Differential Data
- Input Voltage : 48V DC (28-60V DC)
- Output Data : SPI Single Data
- Output Power : 24V DC
- Operating Temp : -20 ~ 50°C
- Max.Connector : Max.100nodes per port
- Protection : IP 66
- Function : Power & Data converting

3 D12S

- Size : (W)59.5 x (H)68 x (D)12.6mm
- LED : 3 in 1 Full Color SMD LED
- Power Consumption : Max.1.9W
- Brightness : 22,8cd/node
- Input Data : SPI Single Data
- Operating Voltage : 24V DC
- Operating Temp : -20 ~ 50°C
- Protection : IP 66
- Node Pitch : 100 ~ 1,200mm

4 D12S input cable

- Size : AWG18 x 4C
- Length : Max.1200mm
- Connector : Waterproof CON