



D6S



D6S is a full color SMD LED fixture with 6 dots in one pixel with individually addressable pixel control configuration. Its customization options for pixel pitch and length of string give flexibility in adopting into various architectural surroundings and display effects such as text, graphic and video. Moreover, its larger size and brightness of single light source increases visible effect from farther distance with suitability in large scale projects.

FEATURE

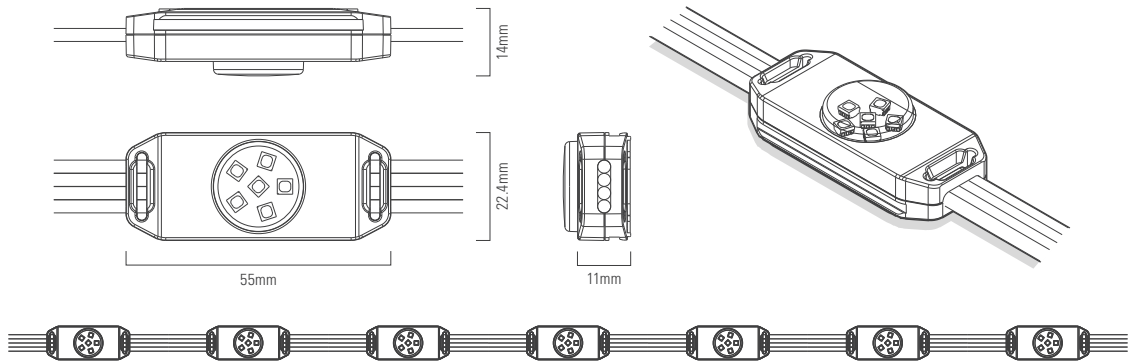
- Flexible pixel pitch ranging from 100 up to 1,200mm
- Various lens cover : flat and dome type, clear and diffuser type
- Various installation methods on irregular architectural surface



Publicis Drugstore
 Jun. 2014. Paris, France

PRODUCT SPECIFICATIONS	0.9W(10mA)	1.3W(15mA)	
Model Number	GS-06SFO	GS-06SFO-1	
LED	3 in 1 Full Color SMD LED × 6		
Size (w × h × d)	55mm × 22.4mm × 14mm		
Material	Polycarbonate		
Weight	26.5g / 0.06 lbs		with In/Out cable 200mm
Power Consumption	Max. 0.9W	Max. 1.3W	1 Node
Brightness	26.7lm / 10cd	35.8lm / 13.4cd	
Pixel Pitch	100mm ~ 1,200mm		
Beam Angle	110°		
Color Process	3 x 12 bit (Gamma Correction)		
Control	DMX512, Video Control		
Operating Voltage	24V DC		
Addressing	Auto/Manual Addressing Setting		
Protection	IP66		
Operating Temperature	-20°C ~ 50°C / -4°F ~ 122°F		
Storage Temperature	-30°C ~ 80°C / -22°F ~ 176°F		
Option	Flat Cover (Clear/Diffuser), Bracket		
Certification	CE, EN62471		
SYSTEM SPECIFICATIONS	0.9W(10mA)	1.3W(15mA)	
Main Input Cable	Max. 20m (AWG 18 x 4C)		
Maximum Connection	Max. 120 Nodes	Max. 90 Nodes	100mm pixel pitch

TECHNICAL DRAWING



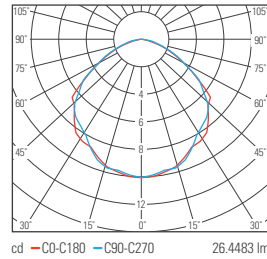
PHOTOMETRICS

GS-06SFO
(D6S_RGB_Clear Flat
110D_0.9W)

- Source :
3 in 1 full color SMD LED x 6

Polar LDC

Measured on white (RGB)



Color	Lumens
White (RGB)	26.44
Red	6.59
Green	18.64
Blue	2.93

Illuminance at distance

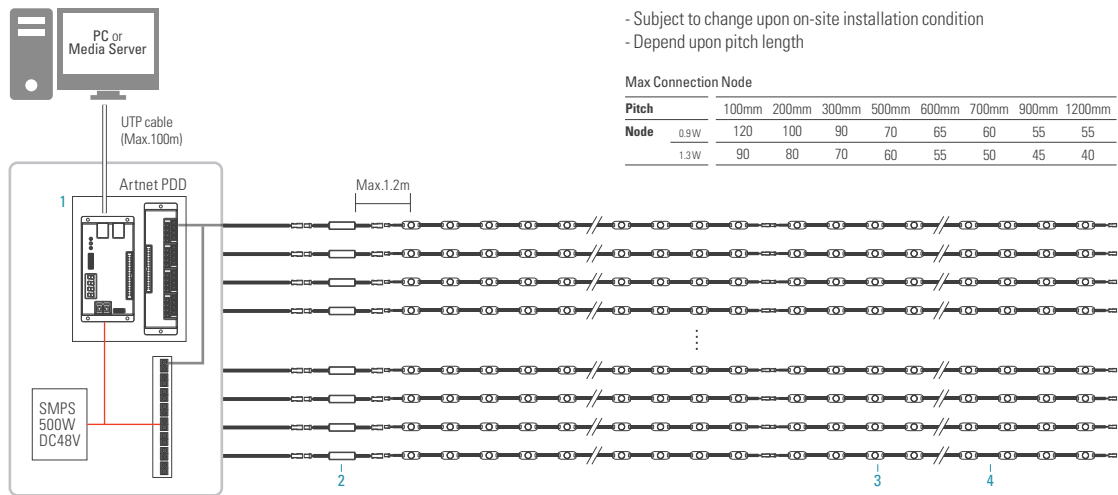
Measured on white (RGB)

Distance	Cone diameter	Illuminance	E (0°)	E (C90)	E (C0)
0.2	0.58 0.56	251	55.2°	23	24
0.4	1.15 1.13	63	55.2°	6	6
0.6	1.73 1.69	28	55.2°	3	3
0.8	2.30 3.36	16	55.2°	1	2
1.0	2.88 2.82	10	55.2°	1	1

Horiz. spread: 109.4°
Vert. spread: 110.4°

Distance Cone diameter Illuminance
- C0-C180 (Half-value angle: 109.4°) - C90-C270 (Half-value angle: 110.4°)

SYSTEM BLOCK DIAGRAM



- Subject to change upon on-site installation condition
- Depend upon pitch length

Max Connection Node

Pitch	100mm	200mm	300mm	500mm	600mm	700mm	900mm	1200mm
Node 0.9W	120	100	90	70	65	60	55	55
Node 1.3W	90	80	70	60	55	50	45	40

1 Artnet PDD

- Size : (W)160 x (D)80 x (H)17.2mm
- Input Data : Art-Net
- Input Voltage : 24V DC (10 - 60V DC)
- Output Data : 16port Differential Data
- Operating Temp : -20 - 50°C
- Max.Connector : Max.100nodes per port
- Function : Data transfer

2 LPU24

- Size : (W)30 x (H)21 x (D)138mm
- Input Data : SPI Differential Data
- Input Voltage : 48V DC (28-60V DC)
- Output Data : SPI Single Data
- Output Power : 24V DC
- Operating Temp : -20 - 50°C
- Max.Connector : Max.100nodes per port
- Protection : IP 66
- Function : Power & Data converting

3 D6S

- Size : (W)55 x (H)22.4 x (D)14mm
- LED : 3 in 1 Full Color SMD LED
- Power Consumption : Max.0.9W | Max.1.3W
- Brightness : 10cd/node | 13.4cd/node
- Input Data : SPI Single Data
- Operating Voltage : 24V DC
- Operating Temp : -20 - 50°C
- Protection : IP 66
- Node Pitch : 100 - 1,200mm

4 D6S input cable

- Size : AWG18 x 4C
- Length : Max.1200mm
- Connector : Waterproof CON