



# D1S



D1S is a full color SMD LED fixture with individual pixel control configuration. Its customization options for pixel pitch and length of string give flexibility in adopting into various architectural surroundings and display effects such as twinkling star light, text, graphic and video. Moreover, its minimum pixel pitch of 50mm gives even more flexibility and helps clients to overcome difficulties in realizing architectural lighting project.

## FEATURE

- Flexible pixel pitch ranging from 50 up to 1,200mm
- Various lens cover : flat and dome type, clear and diffuser type
- Various installation methods on irregular architectural surface



Madagascar Live at Everland Resort  
 Entertainment Events  
 Jul. 2012. Korea

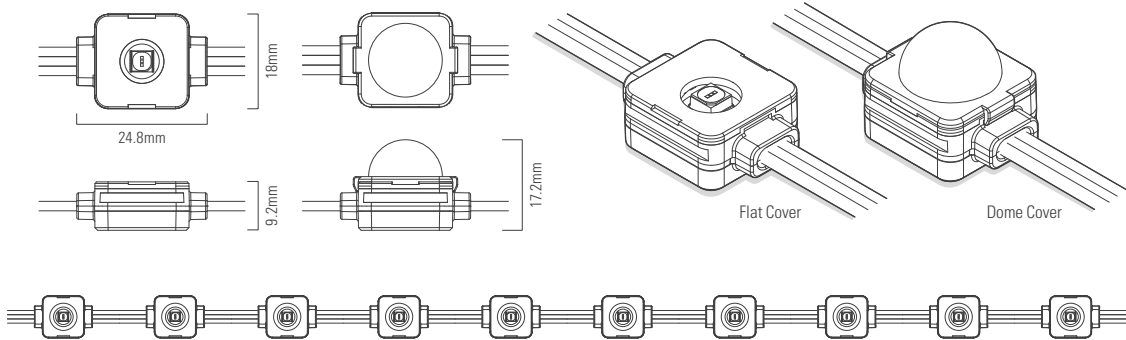
## PRODUCT SPECIFICATIONS

Model Number	GS-01SFO	
LED	3 in 1 Full Color SMD LED	
Size (w × h × d)	18mm x 18mm x 9.2mm	
Material	Polycarbonate	
Weight	7.0 g / 0.01 lbs	with In/Out cable 200mm
Power Consumption	Max. 0.5 W	1 Node
Brightness	5.5lm / 2cd	1 Node
Pixel Pitch	50mm ~ 1,200mm	
Beam Angle	110°	Flat Cover
Color Process	3 x 12 bit (Gamma Correction)	
Control	DMX 512, Video Control	
Operating Voltage	12V DC	
Addressing	Auto/Manual Addressing Setting	
Protection	IP66	
Operating Temperature	-20°C ~ 50°C / -4°F ~ 122°F	
Storage Temperature	-30°C ~ 70°C / -22°F ~ 158°F	
Option	Flat Cover (Clear / Diffuser), Dome Cover (Clear / Diffuser), Bracket	
Certification	CE, EN62471	

## SYSTEM SPECIFICATIONS

Main Input Cable	Max. 20m (AWG 20 x 3C)	
Maximum Connection	Max. 100 Nodes	85 ~ 200mm pixel pitch

## TECHNICAL DRAWING

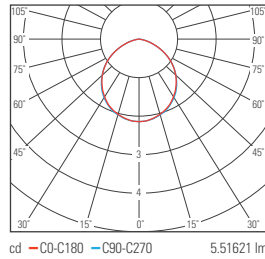


## PHOTOMETRICS

GS-01SFO  
 (D1S\_RGB\_  
 Clear Flat\_110D)  
 - Source :  
 3 in1 full color SMD LED x 1

### Polar LDC

Measured on white (RGB)



Color	Lumens
White (RGB)	5.51
Red	1.38
Green	3.82
Blue	0.69

### Illuminance at distance

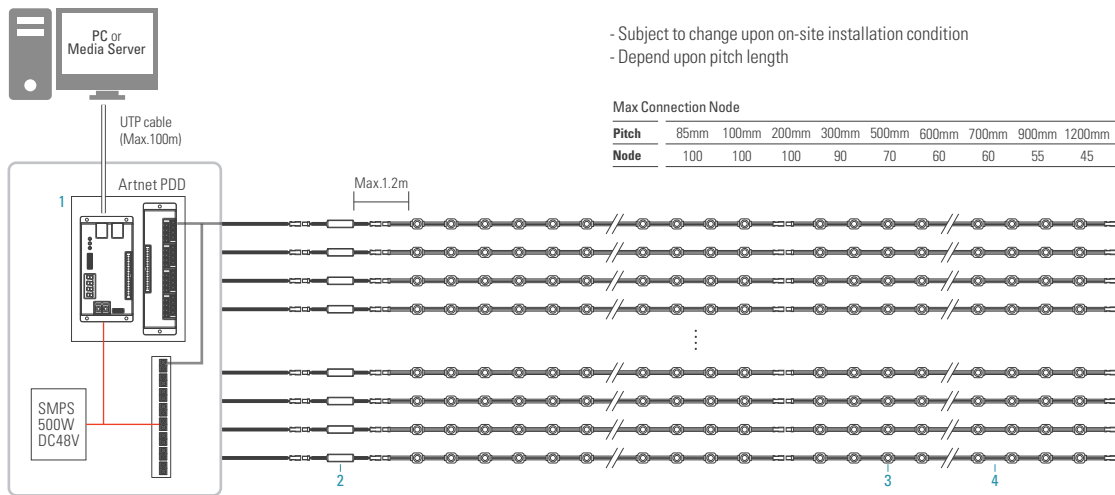
Measured on white (RGB)

Distance	Cone diameter	Illuminance
0.2	0.54	E (0°) 54
	0.53	E (C90) 53.3° 6
		E (C0) 53.1° 6
0.4	1.07	E (0°) 13
	1.07	E (C90) 53.3° 1
		E (C0) 53.1° 1
0.6	1.61	E (0°) 6
	1.60	E (C90) 53.3° 1
		E (C0) 53.1° 1
0.8	2.15	E (0°) 3
	2.13	E (C90) 53.3° 0
		E (C0) 53.1° 0
1.0	2.68	E (0°) 2
	2.66	E (C90) 53.3° 0
		E (C0) 53.1° 0

Distance Cone diameter Illuminance  
 - C0-C180 (Half-value angle: 106.2°) - C90-C270 (Half-value angle: 106.6°)

Horiz. spread: 106.2°  
 Vert. spread: 106.6°

## SYSTEM BLOCK DIAGRAM



- Subject to change upon on-site installation condition  
 - Depend upon pitch length

### Max Connection Node

Pitch	85mm	100mm	200mm	300mm	500mm	600mm	700mm	900mm	1200mm
Node	100	100	100	90	70	60	60	55	45

### 1 Artnet PDD

- Size : (W)160 x (D)90 x (H)17.2mm
- Input Data : Art-Net
- Input Voltage : 24V DC (10-60V DC)
- Output Data : 16port Differential Data
- Operating Temp : -20 ~ 50°C
- Max.Connector : Max.100nodes per port
- Function : Data transfer

### 2 LPU12

- Size : (W)30 x (H)21 x (D)138mm
- Input Data : SPI Differential Data
- Input Voltage : 48V DC (16-60V DC)
- Output Data : SPI Single Data
- Output Power : 12V DC
- Operating Temp : -20 ~ 50°C
- Max.Connector : Max.100nodes per port
- Protection : IP 66
- Function : Power & Data converting

### 3 D1S

- Size : (W)18 x (H)18 x (D)9.2mm
- LED : 3 in 1 Full Color SMD LED
- Power Consumption : Max. 0.5W
- Brightness : 2cd/node
- Input Data : SPI Single Data
- Operating Voltage : 12V DC
- Operating Temp : -20 ~ 50°C
- Protection : IP 66
- Node Pitch : 50 ~ 1,200mm

### 4 D1S input cable

- Size : AWG20 x 3C
- Length : Max. 1200mm
- Connector : Waterproof CON